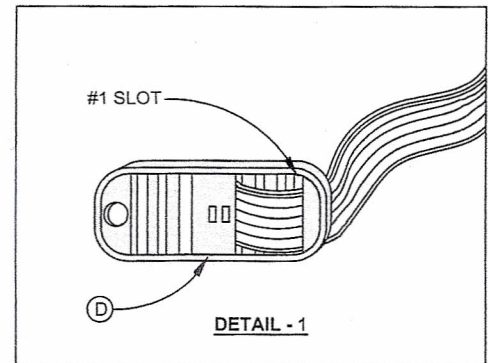
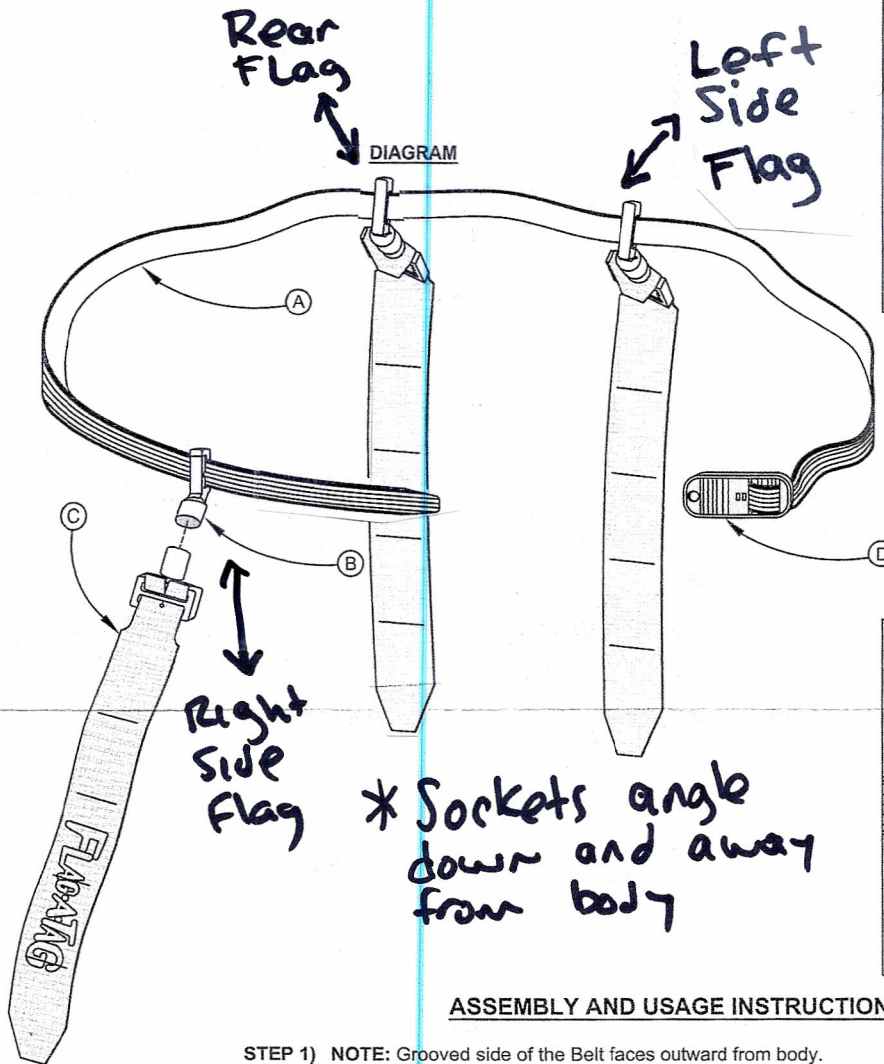


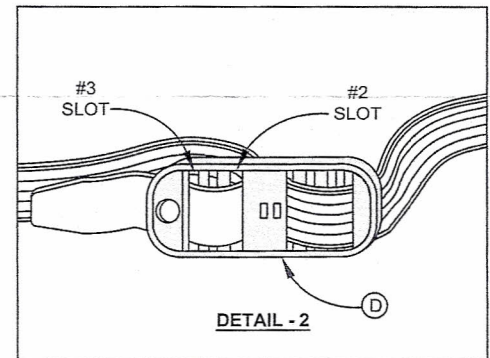
# MYFFL 3 FLAG BELT ASSEMBLY

## FLAG-A-TAG BELT®

PAT. 5,456,462



ITEM	DESCRIPTION	QTY
A	BELT	1 EA
B	SOCKET	2 EA
C	STEM & FLAG ASSEMBLY	2 EA
D	BELT BUCKLE	1 EA



### ASSEMBLY AND USAGE INSTRUCTIONS

- STEP 1) NOTE:** Grooved side of the Belt faces outward from body.  
Thread tag end of the Belt *ITEM A* through the #1 slot as shown in *DETAIL - 1*.
- STEP 2)** Slide both Sockets *ITEM B* onto Belt *ITEM A* with the Sockets facing outward and down to display flags away from body and allow correct spin and swivel during play. See *DIAGRAM*.  
**NOTE:** Grooved side of the Belt faces outward from body.
- STEP 3)** Insert both Flag Stems *ITEM C* into the Sockets using a push and twist motion.  
See *DIAGRAM*.
- STEP 4)** You are now ready to use your FLAG-A-TAG Belt. Place Belt around your waist; thread the tag end of the Belt under the Buckle *ITEM D* and up through #2 slot and back down through #3 slot. See *DETAIL - 2*.
- STEP 5)** If the Belt is too long you can cut off excess and re-point the end.

See our full section of FLAG-A-TAG products at [BSNSPORTS.COM](http://BSNSPORTS.COM)